



CDY-12A Economical Tipping Bucket Rainfall

For weather automation applications



Features

- Compact size for easy use
- High accuracy, good stability
- Mesh in the funnel preventing debris such as leaves and insects from entering the working of rain sensor
- Well made tipping bucket with low resistance
- The main body made of high strength ABS
- Horizontal Bubble in the bottom
- Outlet with insect-proof screen

CDY-12A Economical Tipping Bucket Rainfall Sensor is a hydrology, meteorological instrument used to measure the nature of rainfall, and it converts the precipitation into a pulse signal output. Designed with insect-proof nets, free blocking nozzle and built-in leveller. The model can be used in meteorology, hydrology, agriculture, forestry, field monitoring stations and other industries. Combined with rainfall recorder can be used to measure precipitation, precipitation intensity, precipitation time.

Typical installation locations

- Top of building
- Solar energy
- Open areas
- Outdoor locations

Design structure

The rain water enters the water bearing device through the water bearing mouth, and then flows into the tipping bucket through the funnel mouth. When the amount of water in the tipping bucket reaches a certain degree (such as 0.1mm, 0.2mm, 0.5mm, etc., different types of sensors may have different set values), the tipping bucket will be turned over due to the loss of balance due to gravity. Each time the skip is turned over, a switching signal is triggered (for example by a reed tube, etc.), producing a pulse signal. By recording the number of pulse signals, the corresponding precipitation can be converted.

Easy installation

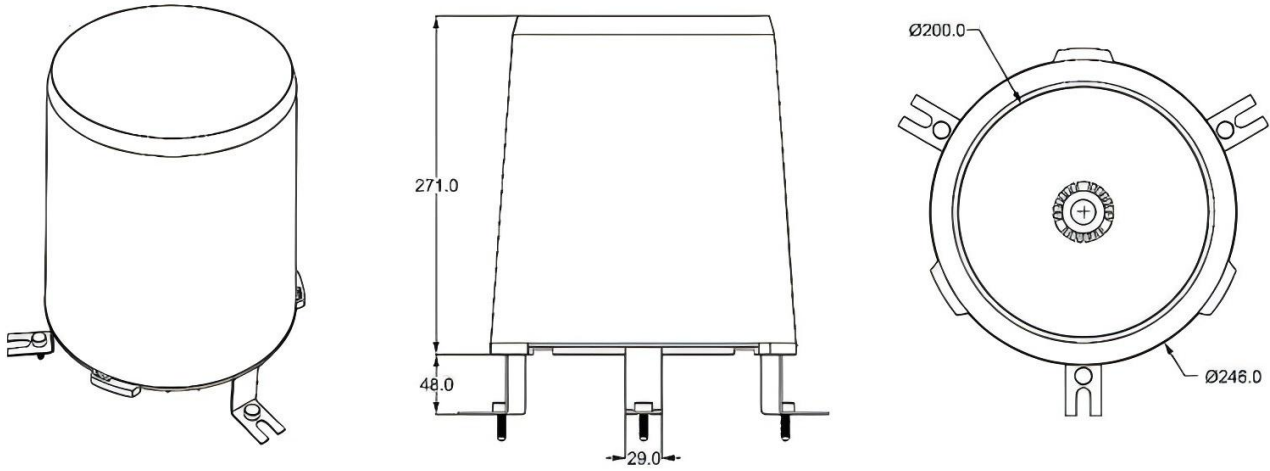
should be installed in an open, flat and unobstructed area, and avoid installation near buildings, trees or other objects that may affect the accurate measurement of rainfall. It is generally required that the distance between the height of the instrument's rain socket and the ground plane is 70cm, and it is ensured that no shelter higher than the instrument's rain socket is allowed within 3-5 meters around the instrument's mouth.

Reliable operation

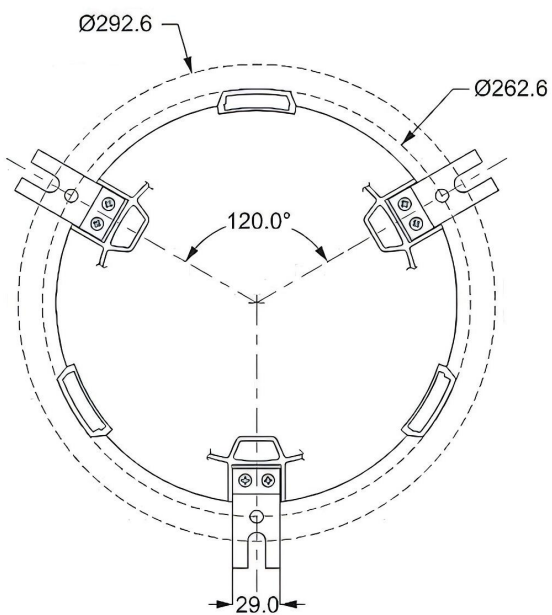
The correct installation position and method are critical to the reliability of the sensor. The sensor should be installed in an open, unobstructed place to ensure that rainwater can accurately flow into the water receiver. At the same time, the installation should ensure the level of the sensor to avoid affecting the measurement accuracy due to tilt. Regular maintenance and calibration are important measures to ensure the reliability of the sensor. This includes cleaning the water carrier, checking the rotation flexibility of the tipper, and calibrating the measurement accuracy of the sensor. Detecting and handling sensor faults in a timely manner can prevent fault expansion and improve sensor reliability.

Dimensions & packing

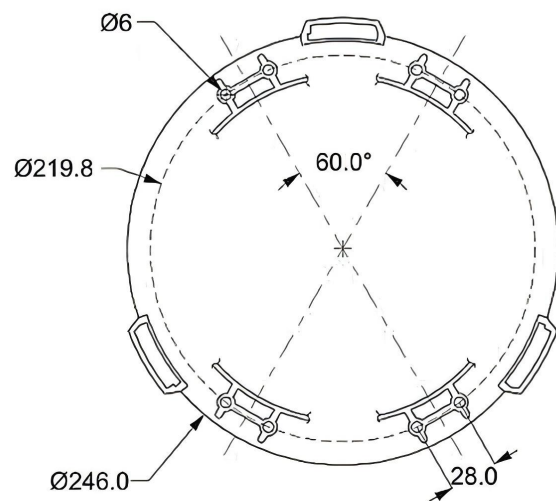
CDY-12A connector dimension



Installing



Installation hole position No.1



Installation hole position No.2

Technical data

Measurement performance, models CDY-12A

Item	Specification
Collector	Diameter : ϕ 200mm, height: 271mm
Measured rainfall intensity	Max: 4mm/min
Allow rainfall intensity	Max: 8mm/min
Resolution	0.2mm
Accuracy(2mm/min)	\pm 4%
Maximum load voltage	30VDC(pulse output)
Maximum load current	20mA
Output	Pulses(@10k Ω &0.01 μ F),RS485(12-24VDC supply)
Operating temperature	0-60 $^{\circ}$ C @0%-100%RH
Main material	Rainfall collector & tipping bucket: ABS, Supporting leg:304SS
Weight(unpacked)	2kg

Model number	Type	Output	Special features
CDF-10A	Wind speed	Pulses(PNP) RS485 4-20MA 0-5V	Three cup plastic wind speed
CDF-11A	Wind direction	RS485 4-20MA 0-5V	Plastic wind direction sensor
CDF-20B	Combined Wind Speed & Direction	RS485 4-20MA 0-5V 0-10V	Integrated wind speed and direction
CDG-10B	Solar Radiation	0-5V,4-20mA,RS485	Spectral range:300~1100nm
CDG-13B	Ultraviolet(UV) Radiation	0-5V 0-10V 4-20mA RS485	Spectral range:280~400nm
CDW-33A	Atmospheric Temperature, Humidity & Pressure	RS485	Shelter installation
CDY-10B	Metal Economical Tipping Bucket Rainfall	Pulses(@10k Ω &0.01 μ F),RS485	Diameter : ϕ 200mm, height: 330mm
CDY-11A	Rain & Snow Sensor	Relay(NO) RS485	Gold-plated(Strong corrosion resistance)
CDY-12A	Economical Tipping Bucket Rainfall	Pulses(@10k Ω &0.01 μ F),RS485	Diameter : ϕ 200mm, height: 271mm
CDY-14B	Evaporation sensor	RS485	Range 75mm
CDY-15A	Optical Rain Sensor	Pulses(@10k Ω &0.01 μ F),RS485(12VDC supply)	Diameter : ϕ 82mm, height: 80mm
CDQ-X100	Piezoelectric Type Rain	RS485	Measuring range: 0-200mm/h
CDY-18B	Automatic rainfall station	4G/WIFI/Ethernet	LCD display

Published by CODA | © CODA 2024



All rights reserved. Any logos and/or product names are trademarks of CODA or its individual partners. Any reproduction, transfer, distribution or storage of information contained in this document is prohibited. All specifications — technical included — are subject to change without notice.

Hunan Coda Electronic Tech Co.,Ltd

T:+86-0731-85117089 W:www.codasensor.com E:Molly@codasensor.com