



CDP-11A/12A Lighter Multi-Plate Radiation Shield

For weather automation applications



CDP-11A



CDP-12A

Features

- Good air circulation around shield
- Away from large masses (asphalt, masts, solar panels) especially metal items
- Away from exhaust vents, electrical machinery and motors
- Away from standing water, water fountains and sprinklers

The Multi-Plate Radiation Shield protects temperature, relative humidity or barometric pressure sensors from error-producing solar radiation and precipitation. This shield relies on a combination of plate geometry, material and natural ventilation to provide effective shielding. The radiation shield reflects sunlight from any direction, prevents sun direct radiation and reflection on the ground to the sensor radiation, to protect the instrument from the effects of strong winds, rain, snow, etc. Freely through the air, making instrument work in ventilated environment, to ensure the accuracy of measured data. Products with high reflectivity and low thermal conductivity, resistance to ultraviolet ray function, can be used in extreme weather conditions.

Typical installation locations

- Top of building
- Solar energy
- Open areas
- Outdoor locations

Design structure

The screen is bounded by sheets of louvers. This louver structure allows the free flow of air, so that the temperature and humidity in the box can be fully exchanged with the surrounding environment, so as to ensure that the measurement is the natural state of air temperature and humidity. At the same time, the tilt angle and spacing of the louver are carefully designed to ensure good ventilation, but also to prevent direct sunlight, rain, dust and strong winds directly into the box, and play an effective role in protecting the measuring instrument.

Easy installation

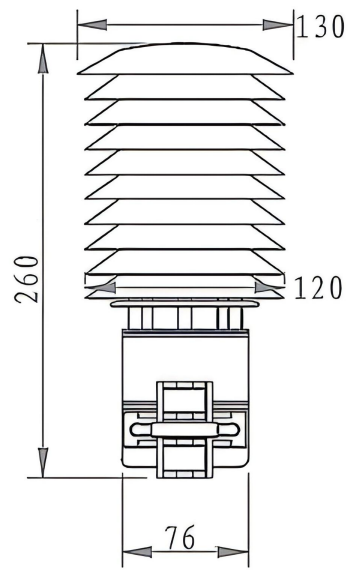
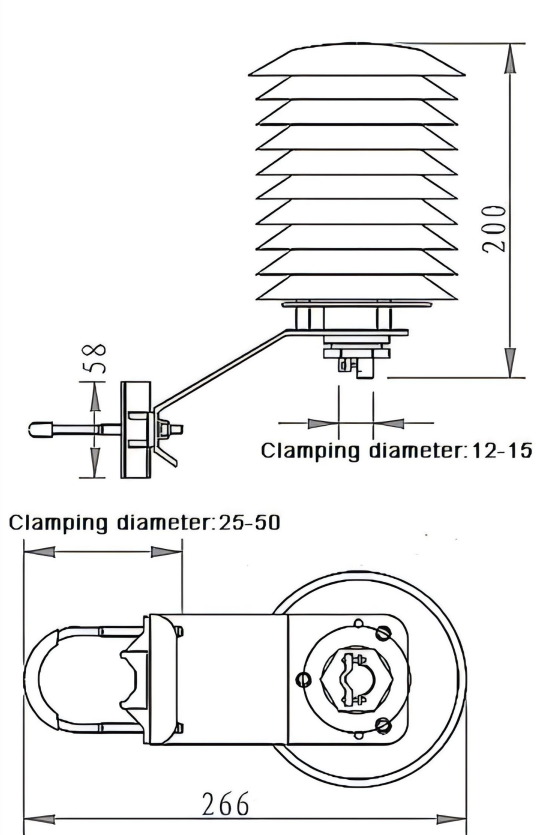
The screen is bounded by sheets of louvers. This louver structure allows the free flow of air, so that the temperature and humidity in the box can be fully exchanged with the surrounding environment, so as to ensure that the measurement is the natural state of air temperature and humidity. At the same time, the tilt angle and spacing of the louver are carefully designed to ensure good ventilation, but also to prevent direct sunlight, rain, dust and strong winds directly into the box, and play an effective role in protecting the measuring instrument.

Reliable operation

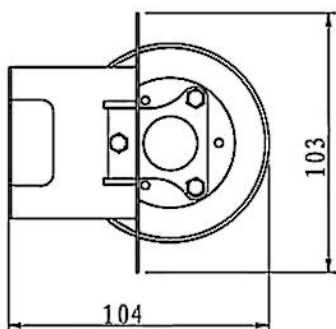
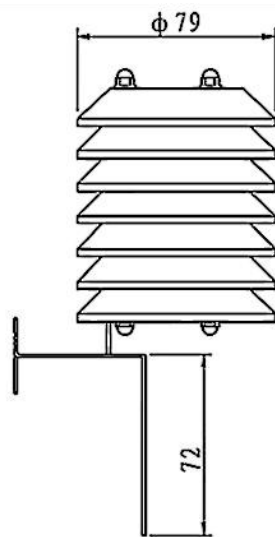
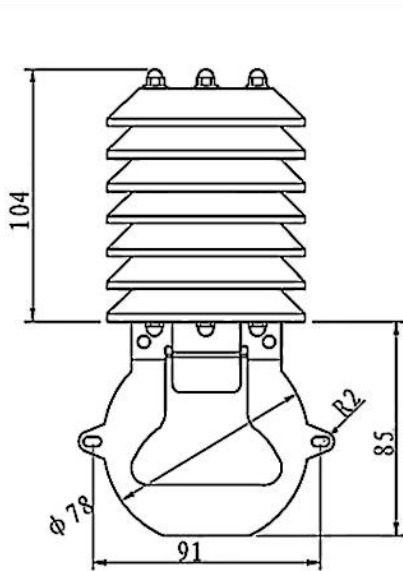
Strong weather resistance: Because the shelter is exposed to the outdoor environment for a long time, it needs to withstand the test of various weather conditions, so the material must have good weather resistance. It can resist the influence of ultraviolet radiation, wind and rain erosion, temperature change and other factors to ensure the service life and measurement reliability of the shelter.

Dimensions

CDP-11A/12A connector dimension



Unit: mm



Technical data

Measurement performance, models CDP - 11A / 12A

Item		Specifications	
		11A	12A
Number of plates		10	7
Color		Pure white	
Dimensions (mm)	Inner diameter	30	22
	Outer diameter	130	79
	Internal height	135	80
Material		Special engineering plastics against radiation & Stainless steel screw	
Install accessories(attached)		Stainless steel bracket	
Operating temperature		-40℃ -+75℃	

Model number	Type	Output	Special features
CDF-10A	Wind speed	Pulses(PNP) RS485 4-20MA 0-5V	Three cup plastic wind speed
CDF-11A	Wind direction	RS485 4-20MA 0-5V	Plastic wind direction sensor
CDF-20B	Combined Wind Speed & Direction	RS485 4-20MA 0-5V 0-10V	Integrated wind speed and direction
CDF-21A	Ultrasonic Wind Speed & Direction	RS232/RS485(Modbus/NMEA-0183), Voltage(0-5V),Current(4-20mA) optional	Ultrasonic principle
CDW-33A	Atmospheric Temperature, Humidity & Pressure	RS485	Shelter installation
CDQ-T6A	Miniature Ultrasonic Automatic Weather	RS485	Wind speed & direction temp & humidity & pressure
CDY-12A	Economical Tipping Bucket Rainfall	Pulses(@10kΩ&0.01uF),RS485	Diameter :φ200mm, height: 271mm
CDG-10B	Solar Radiation	0-5V,4-20mA,RS485	Spectral range:300~1100nm
CDG-11B	Pyranometer	0-20mV,RS485	Spectral range:300~3000nm Class one
CDG-12B	PAR sensor	0-5V 4-20mA RS485	Spectral range:400~700nm
CDG-13B	Ultraviolet(UV) Radiation	0-5V 0-10V 4-20mA RS485	Spectral range:280~400nm
CDG-14A	Illuminance Sensor	0-5V 0-10V 4-20mA RS485	Spectral range:380~780nm
CDG-17B	Scattering Radiometer	RS485	Spectral range:280~3000nm
CDP-10A	Multi-Plate Radiation Shield	4 -20 plates optional	Inner diameter:44mm, Outer diameter:140mm
CDP-11A-12A	Lighter Multi-Plate Radiation Shield	ABA material	Inner diameter:30mm or 22mm, Outer diameter:130mm or 79mm Internal height:135mm or 80mm
CDP-18A	Multi-Plate Radiation Shield	9 -18 plates optional	Inner diameter:130mm, Outer diameter:220mm
CDP-1T0A	Hall Current Sensor & DC Voltage	4-20mA, RS485	Range DC0-150A DC0-500V
CDP-1T1A	Solar Power system	Rated current 10A	No-load current ≤12mA@12V

Published by CODA | © CODA 2024



All rights reserved. Any logos and/or product names are trademarks of CODA or its individual partners. Any reproduction, transfer, distribution or storage of information contained in this document is prohibited. All specifications — technical included — are subject to change without notice.

Hunan Coda Electronic Tech Co.,Ltd

T:+86-0731-85117089 W:www.codasensor.com E:Molly@codasensor.com